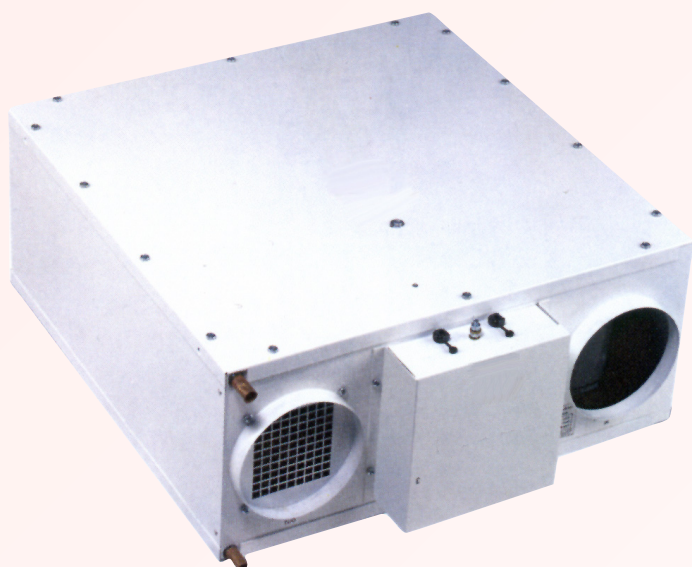




"WHHR" - whole house heat recovery



- For loft installation
- 2 models
- Exchanges stale air for fresh with no more than 20% heat loss
- Continuous running at low speed
- Optional summer vent switch
- BRE Digest 398 Compliant
- BEAB Approved
- Exceeds Building Regulations requirements (including new Document F)

GENERAL

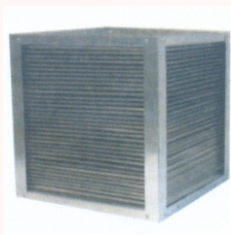
- for loft installation
- speed adjustable by using optional speed controller (HRVC1)
- choice of 5 (WHHR100) or 7 (WHHR200) low speed settings on installation for precise ventilation control
- runs continuously at low speed
- can be switched to higher speed for pre-determined length of time
- up to 80% of heat recovered
- optional summer ventilation switch prevents heat recovery but maintains ventilation during summer months
- controls condensation
- can be fitted with humidistat
- whisper quiet operation

SPECIFICATION

- robust aluminium plate heat exchanger for long life and high efficiency rating - easily removed for maintenance
- casing from white aludip steel

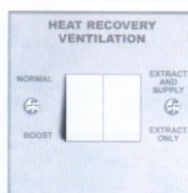
COMPLY WITH

- EN60335-2-80
- EC Low Voltage Directive 73/23-93/68
- EC Directive EMC89/336
- CE marked
- BEAB Approved



aluminium heat exchanger

HRVC1 Controller for WHHR100 and WHHR200



TYPICAL SPECIFICATION

Supply and install a WHHR200 Whole House Heat Recovery unit suitable for loft installation and for a maximum volume of 720m³ as supplied by Vectaire Ltd, Lincoln Road, Cressex Business Park, High Wycombe, Bucks, HP12 3RH.

On installation this unit should have a choice of five low speed settings to allow for precise adjustment according to the dwelling size. It should then run continuously at this low speed, but with the use of the optional controller have the facility of being boosted to a higher speed when desired.

It should save up to 80% of heat recovered and be capable of being fitted with an optional summer switch to prevent heat recovery whilst maintaining proper ventilation levels. It should be capable of being fitted with a humidistat which will automatically switch the unit to boost speed when relative humidity reaches a pre-determined level.

The unit should be BEAB Approved and Marked, CE marked be BRE Digest 398 compliant.

RANGE

- **WHHR100** for dwellings up to 380m³
- **WHHR200** for dwellings up to 720m³



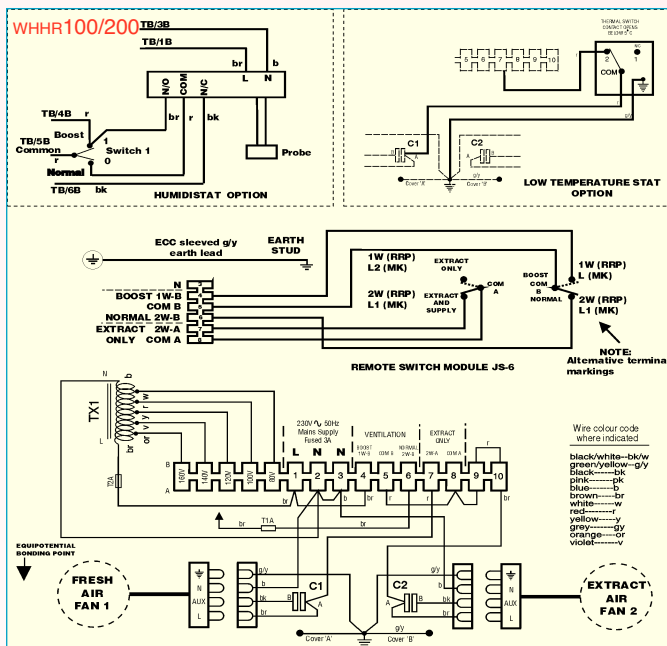
Tel: +44(0)1494 522333
Fax: +44(0)1494 522337

Vectaire Ltd
Lincoln Road, Cressex Business Park
High Wycombe, Buckinghamshire, HP12 3RH

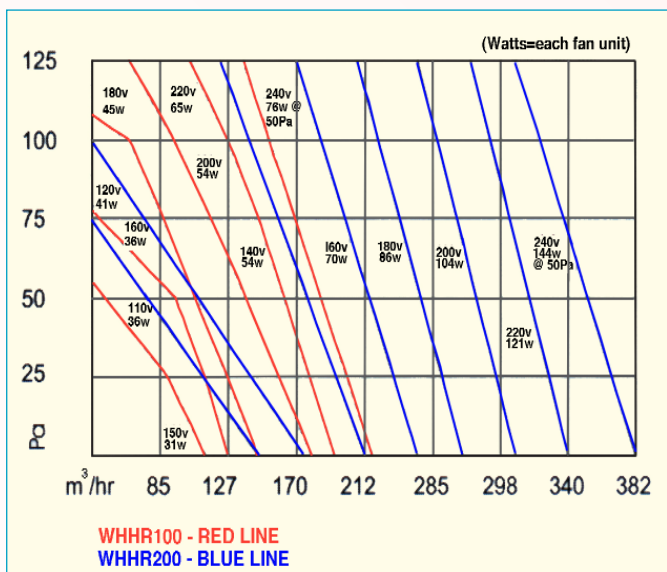
Email: sales@vectaire.co.uk
Web: www.vectaire.co.uk

TECHNICAL CHARACTERISTICS

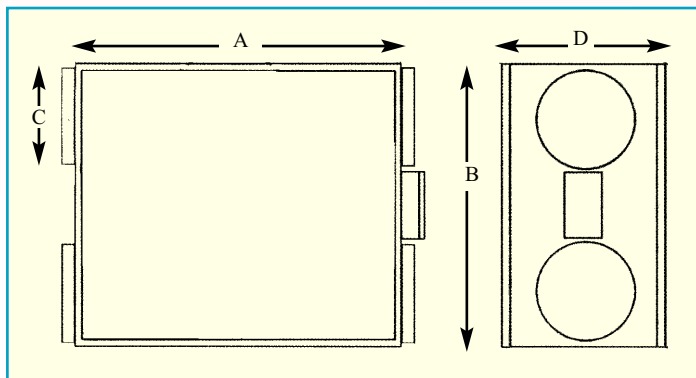
WIRING DIAGRAMS



PERFORMANCE



DIMENSIONS



	A mm	B mm	C mm	D mm
WHHR100	585	585	150	250
WHHR200	700	585	150	300

FULL RANGE OF ACCESSORIES AVAILABLE INCLUDING FLEXIBLE AND FLAT DUCTING